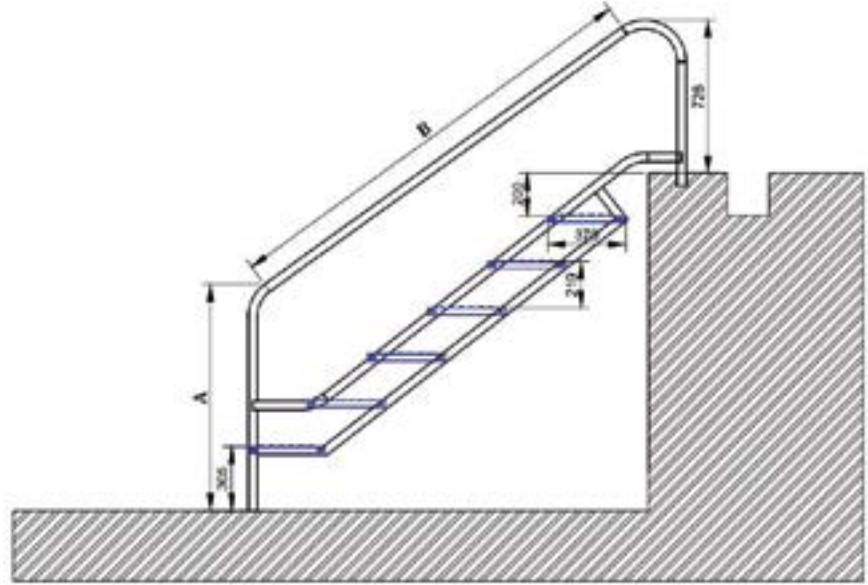
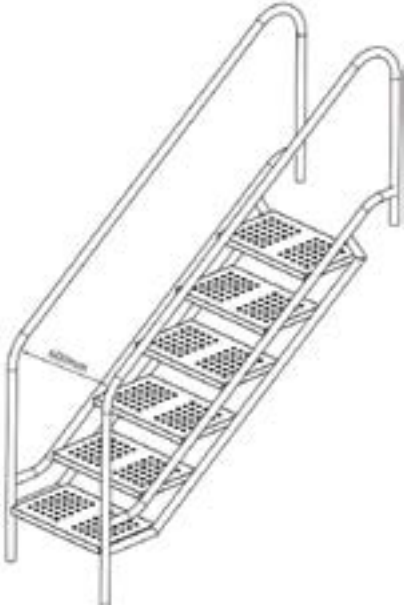


HİDROTERAPİ MERDİVENLERİ (EĞİMLİ MERDİVEN)



| ÜRÜN KODU | | ÜRÜN | FİYAT | |
|-----------|----------|-----------------------------------|----------|----------|
| AISI 304 | AISI 316 | | AISI 304 | AISI 316 |
| 4BHM304 | 4BHM316 | 4 BASAMAKLI HİDROTERAPİ MERDİVENİ | 1.786 € | 2.182 € |
| 5BHM304 | 5BHM316 | 5 BASAMAKLI HİDROTERAPİ MERDİVENİ | 2.117 € | 2.325 € |
| 6BHM304 | 6BHM316 | 6 BASAMAKLI HİDROTERAPİ MERDİVENİ | 2.230 € | 2.475 € |
| 7BHM304 | 7BHM316 | 7 BASAMAKLI HİDROTERAPİ MERDİVENİ | 2.560 € | 2.930 € |
| 8BHM304 | 8BHM316 | 8 BASAMAKLI HİDROTERAPİ MERDİVENİ | 2.850 € | 3.231 € |